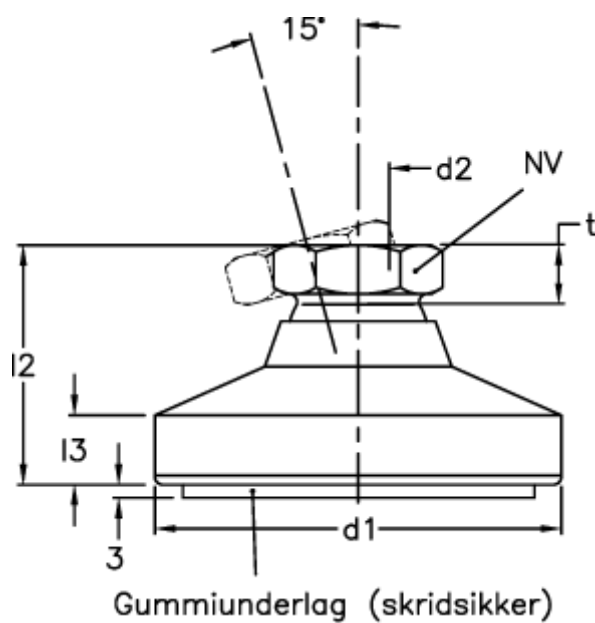


Article number: 20958443

Description: E+G Levelling foot
GN 343.3-32-M10-G

Measures



d_1	= 32
d_2	= M10
l_2	= 22.5
l_3	= 5.0
NV	= 15.0
Static load (N)	= 7000
t min	= 10.5